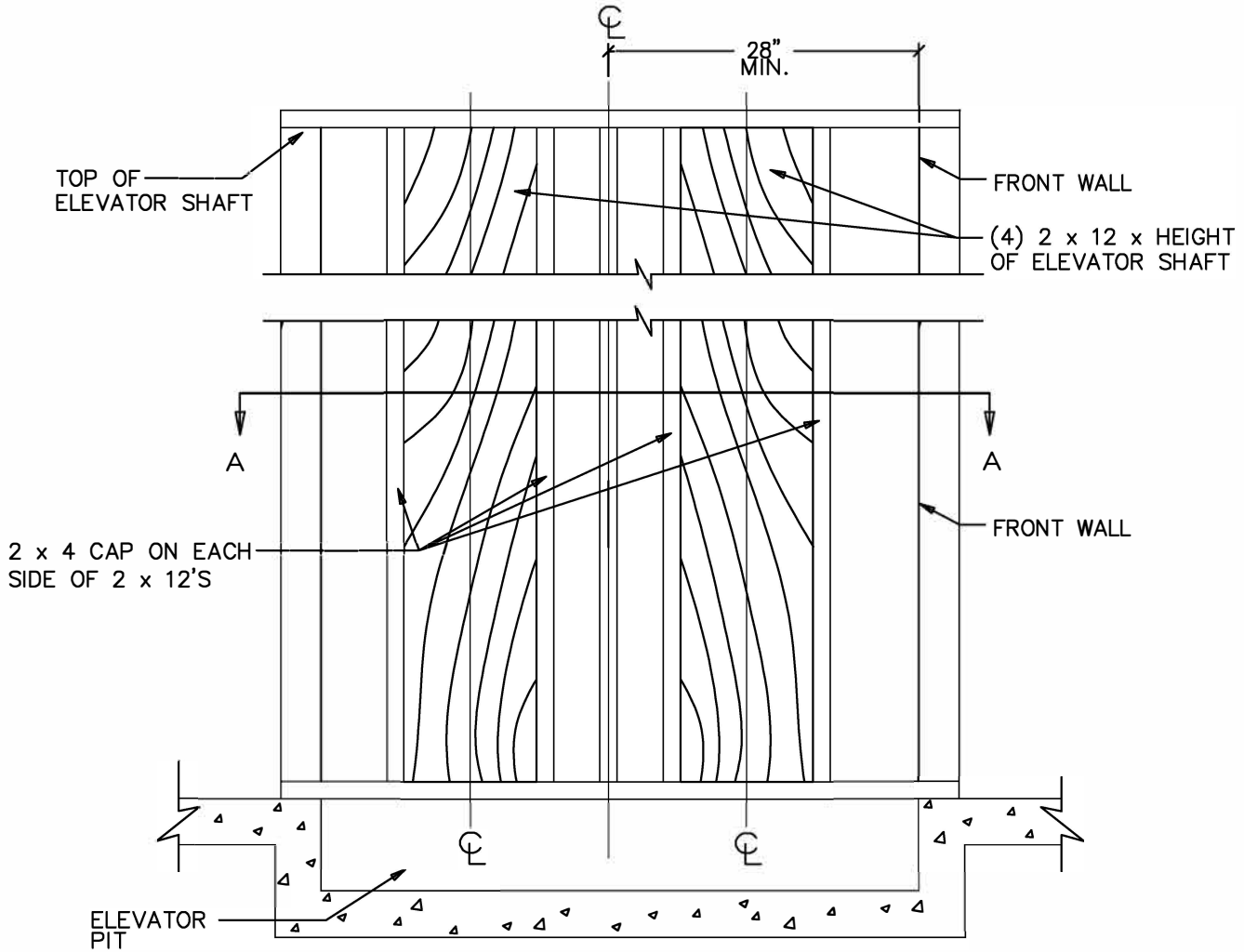
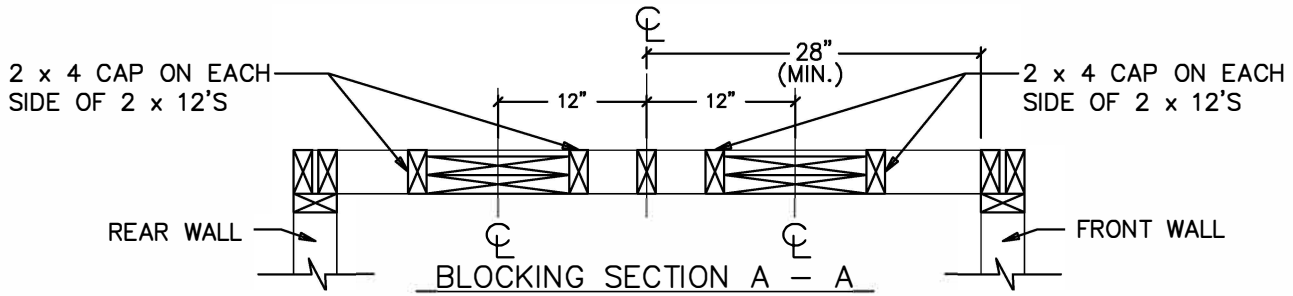


CONTRACTOR RESPONSIBILITY
 TO ENSURE ADEQUATE SUPPORTS IN WALL
 FOR GUIDE RAIL FASTENINGS, DO NOT
 EXCEED 12'-0" VERTICAL INTERVALS



JOB NAME: BLOCKING DETAIL		DRAWING NUMBER: WILTEK-BLOCKING	
------------------------------	--	------------------------------------	--

DRAWING/ REVISION(S)			
DRAWN:	CHECKED:	DATE:	DESCRIPTION
C.J.S.	C.J.S.	03/01/09	NEW DRAWING

ALL LANDING DOORS AND JAMB/FRAMES ARE TO BE INSTALLED IN A 2" X 4" WALL CONSTRUCTION (OR EQUIVALENT) OR RECESSED TO THE SHAFT SIDE OF THE WALL IN A LARGER WALL CONSTRUCTION. THIS IS MANDATORY TO COMPLY WITH THE 3" X 5" RULE, PER ANSI A17.1; PART 5.3 PRIVATE RESIDENCE ELEVATORS (RULE 5.3.1.4.2). IF CONSTRUCTION OF THE LANDING DOOR WALL(S) IS GREATER THAN 2" X 4" CONSTRUCTION CONSULT WITH ELEVATOR MANUFACTURER PRIOR TO FRAMING AND INSTALLATION OF DOOR JAMB/FRAMES.